

## Drop-in Isolators

Part Number: KTDI-402M1

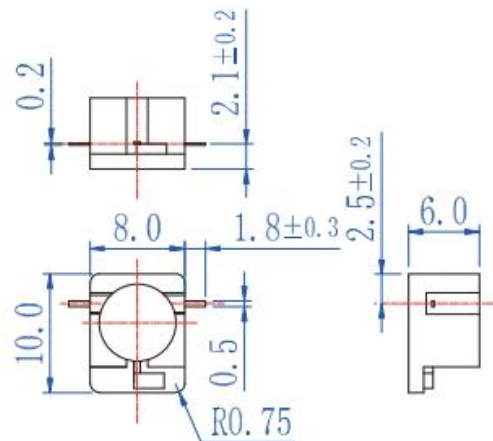
### Key Features

- Frequency Range: 4GHz-5GHz
- Low Insertion Loss, High Isolation
- Small Size, Good Performance
- Wide Operating Temperature Range : -40°C~+85°C
- Commercial, Military and Space Applications

### Electrical Specifications at Room (25°C±5°C) Temperature

Part Number	Freq. Range (GHz)	Relative Bandwidth	Insertion Loss Max. (dB)	Isolation Min. (dB)	VSWR Max.	Reverse Power (W)	Connector Type
KTDI-402M1	4 - 5	10%	0.4	20	1.25	10	TAB

### Mechanical Dimensions (mm)



### HOW TO ORDER

